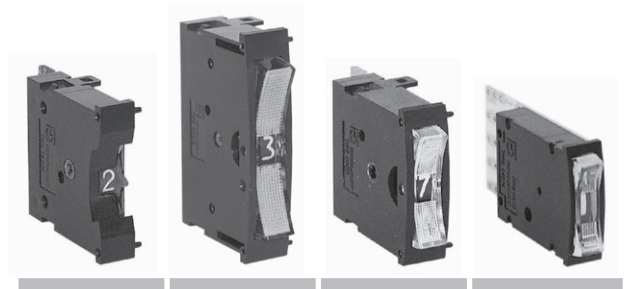


THUMBWHEEL / SELECTOR SWITCHES

8421

- › Starwheel or pushwheel models
- › Choice of output codes with 10 or 16 switching positions
- › Snap-in front panel mounting for easy installation
- › Range of standardized dimensions to fit most panel cutouts
- › Large display characters for easy reading
- › High reliability switching thanks to gold plated contacts
- › Very long life
- › Choice of mounting accessories: snap-in endcaps, spacers and connectors



Main specifications

								Starwheel Miniature 84210	Pushwheel Large 84212	Pushwheel Miniature 84211	Pushwheel Subminiature 84214
Output code	Switching positions	Readout	Code	Circuit	Case	Wheel	Connections				
BCD	10	0-9	M02	C	G	N	S	84210005	84212005	84211007	-
			M02	C	N	N	S	84210055	84212013	84211003	84214007
			M02	L	G	N	S	84210006	84212001	84211008	-
			M02	L	N	N	S	84210056	84212014	84211004	84214009
Decimal	10	0-9	M01	C	G	N	S	84210003	84212004	84211001	-
			M01	C	N	N	S	84210053	84212011	84211024	84214005
			M01	L	G	N	S	84210004	84212002	84211002	-
			M01	L	N	N	S	84210054	84212012	84211023	84214010
BCD + complement	10	0-9	M03	C	G	N	S	84210007	84212006	84211013	-
			M03	C	N	N	S	84210057	84212032	84211017	●
			M03	L	G	N	S	●	84212003	84211012	-
			M03	L	N	N	S	84210058	84212024	84211030	●
BCD complement	10	0-9	M07	C, L	G, N	N	S	●	●	●	●
BCH hexadecimal	16	0-9, A-F	M29	C	G	N	S	84210408	-	-	-
			M29	C, L	G, N	N	S	●	-	-	-
		0-15	M29	C	N	N	S	84210409	-	-	-
Changeover	10	+/-	M29	C, L	G, N	N	S	●	●	●	●
			M04	C, L	G, N	N	S	●	●	●	●

C=short G=grey S=solder or for connector
L=long N=black

Long circuits have track cuts for mounting of additional components in series

Mounting accessories

Accessories	Description	Color	79211709	79211923	79211823	-
Pairs of end caps (with clips)	For securing the block of modules to the panel	grey	79211709	79211923	79211823	-
		black	79211759	79211947	79211847	79214283
Spacers	Blank module for creating a space or filling a gap	grey	79211738	79211914	79211814	-
		black	79211745	79211936	79211836	79214216
Separators (with clips)	Blank module for joining and securing two blocks	grey	79211752	79211924	79211824	-
		black	79211760	79211948	79211848	-
Connectors	For quick connection and disconnection of the module	solder lugs	25625493			-
		solder pins	25625495			-

Spacers and separators have same dimensions as switch modules. For an illustration, see "Examples of blocks" on last page.

Electrical characteristics				
Rating nominal / 48 V AC/DC (A)	0.1	0.1	0.1	0.1
Operating range / 0.1 → 48 V AC/DC (A)	0.0001 → 0.1	0.0001 → 0.1	0.0001 → 0.1	0.0001 → 0.1
Rating thermal (non-switchable) / 48 V AC/DC (A)	1	1	1	1
Mechanical characteristics				
Digit height - 10 / 16 positions (mm)	4.5 / 2.8	6	4.5	4
Module width - pitch (mm)	8	12.5	10	7.6
Module height - cutout (mm)	31	54	31	22.5
Mounting depth - C / L circuits (mm)	37 / 47	37 / 47	37 / 47	32 / 42
Operating force (N)	3	4	5	5
Ambient operating temperature (° C)	-25 → +70	-25 → +70	-25 → +70	-25 → +70
Ambient storage temperature (° C)	-40 → +85	-40 → +85	-40 → +85	-40 → +85
Mechanical life (operations)	10 ⁶	10 ⁶	10 ⁶	10 ⁶
Weight (g)	5.5	14	7.5	4

Standard product

Product made to order

● Contact us

Additional specifications

- Actuator: POM (84210) ; transparent PC (84211/212/214)
- Case: PA66 GB (84210/84211/84212 grey); PPO (84212 black/84214)
- Sliding contacts: gold alloy
- PCB tracks and terminals: gold over nickel
- Mounting features: Assembly of modules through integrated pins or clips.
Front mounting on panel ; fastening by the snap-in endcaps.
- Degree of protection: IP40 (front face)
- Rated insulation voltage U_i : 48 V
- Max. internal resistance: 200 m Ω
- Min. insulation resistance: 10⁵ M Ω
- Dielectric strength: 600 VAC between tracks
2500 VAC between tracks and external parts
- Vibration resistance: 10 g, 10 - 2000 Hz
- Certification marks: **CE**

Product adaptations



- > **Special codes: hexadecimal + complement (M28: 84210), Kelvin-Varley (M17: 84210/211/212), ...**
- > **Special circuits: long without track cuts, with overlap (make before break), ...**
- > **Red wheel (R)**
- > **Connections for PCB (X3): 0.6 x 0.5 x 5 tin-plated solder pins**
- > **Lockout stops for restricting the setting range**

Principles

Standard coding tables

M01 Decimal	Common C connected to tracks										
	0	1	2	3	4	5	6	7	8	9	C
Dial setting 0	•										
Dial setting 1		•									
Dial setting 2			•								
Dial setting 3				•							
Dial setting 4					•						
Dial setting 5						•					
Dial setting 6							•				
Dial setting 7								•			
Dial setting 8									•		
Dial setting 9										•	
84210/211/212	11	10	9	8	7	6	5	4	3	2	12
84214	11	10	9	8	7	6	5	4	3	2	1
Terminal location											

M02 BCD	C connected to				
	1	2	4	8	C
Dial setting 0					
Dial setting 1	•				
Dial setting 2		•			
Dial setting 3	•	•			
Dial setting 4			•		
Dial setting 5	•		•		
Dial setting 6		•	•		
Dial setting 7	•	•	•		
Dial setting 8				•	
Dial setting 9	•			•	
84210/211/212	8	7	6	5	9
84214	8	7	6	5	1
Terminal location					

M03 BCD + compl.	Common C connected to tracks										
	1	2	4	8	-	-	-	-	C		
Dial setting 0					•	•	•	•			
Dial setting 1	•				•	•	•	•			
Dial setting 2		•			•	•	•	•			
Dial setting 3	•	•			•	•	•	•			
Dial setting 4			•		•	•	•	•			
Dial setting 5	•		•		•	•	•	•			
Dial setting 6		•	•		•	•	•	•			
Dial setting 7	•	•	•		•	•	•	•			
Dial setting 8				•	•	•	•	•			
Dial setting 9	•			•	•	•	•	•			
84210/211/212	6	5	4	3	11	10	9	8	7		
84214	4	3	2	1	9	8	7	6	5		
Terminal location											

M04 Changeover	C conn. to		
	1	2	C
Dial setting +	•		
Dial setting -		•	
Dial setting +	•		
Dial setting -		•	
Dial setting +	•		
Dial setting -		•	
Dial setting +	•		
Dial setting -		•	
Dial setting +	•		
Dial setting -		•	
84210/211/212	9	8	2
84214	3	7	5
Terminal location			

M07 BCD compl.	C connected to				
	-	-	-	-	C
Dial setting 0	•	•	•	•	
Dial setting 1		•	•	•	
Dial setting 2	•		•	•	
Dial setting 3		•		•	
Dial setting 4	•	•		•	
Dial setting 5		•		•	
Dial setting 6	•			•	
Dial setting 7		•		•	
Dial setting 8	•	•		•	
Dial setting 9		•		•	
84210/211/212	4	11	2	10	3
84214	9	7	5	3	1
Terminal location					

M29 BCH Hexadec.	C connected to				
	1	2	4	8	C
Dial setting 0					
Dial setting 1	•				
Dial setting 2		•			
Dial setting 3	•	•			
Dial setting 4			•		
Dial setting 5	•		•		
Dial setting 6		•	•		
Dial setting 7	•	•	•		
Dial setting 8				•	
Dial setting 9	•			•	
Dial setting A/10		•		•	
Dial setting B/11	•	•		•	
Dial setting C/12			•	•	
Dial setting D/13	•		•	•	
Dial setting E/14		•	•	•	
Dial setting F/15	•	•	•	•	
84210/211/212	11	9	2	4	7
Terminal location					

Other codes: please consult us

Curves

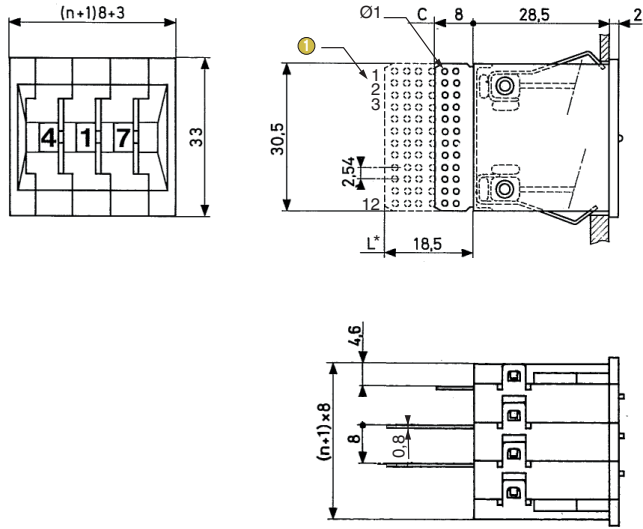
Electrical life for 84210, 84211, 84212 and 84214

48 V \sim /= 0.1 A 10⁶ cycles

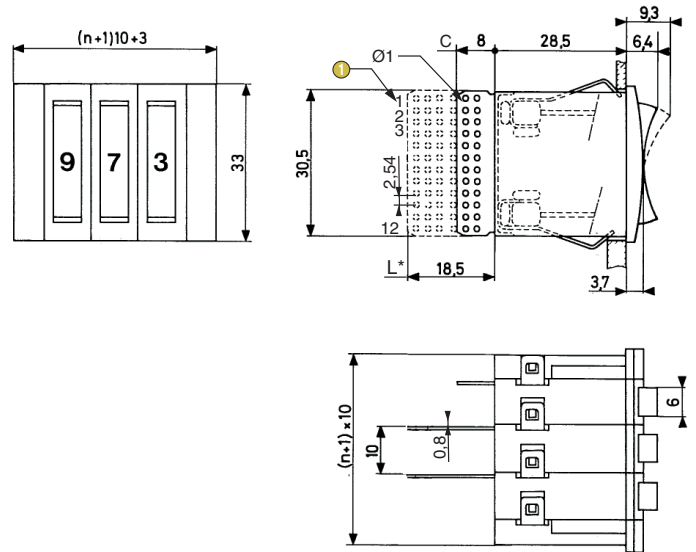
Dimensions

Products

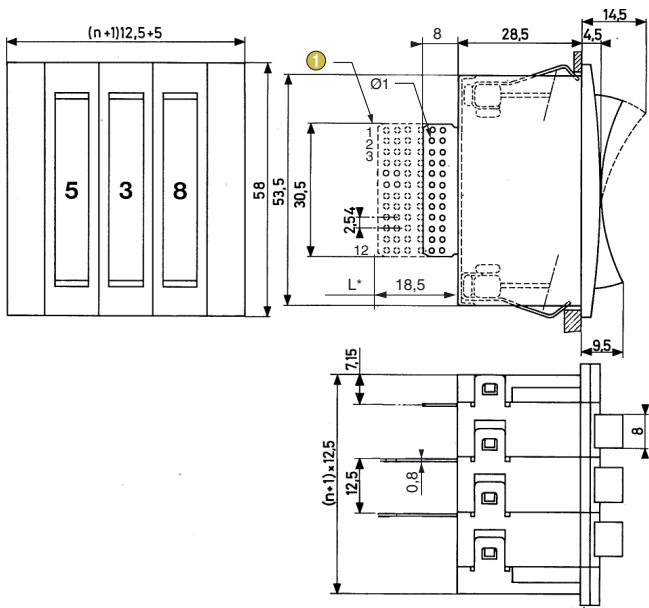
84210



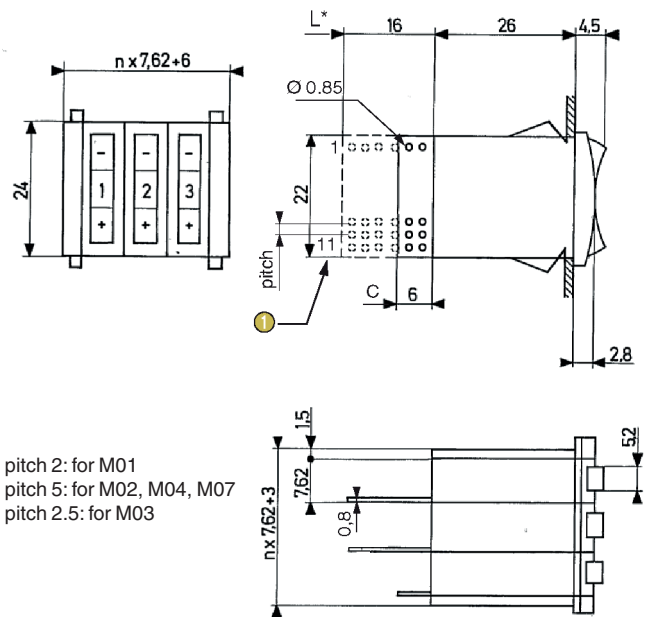
84211



84212



84214

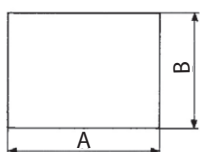


pitch 2: for M01
pitch 5: for M02, M04, M07
pitch 2.5: for M03

1 Terminal location

* Long circuits have track cuts for mounting components in series, except for common C.
Hole spacings: 84210/211/212: 5.5, 8 and 10.5 mm
84214: 7.5 and 10 mm

Panel cutouts

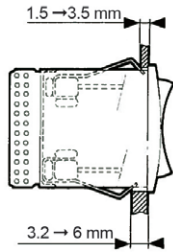


	A	B
84210	(n+1) 8 + J	31
84211	(n+1) 10 + J	31
84212	(n+1) 12.5 + J	54
84214	(nx7.62) + 3.5	22.5

n: number of modules J: clearance: 1 mm for 1 ≤ n ≤ 10
1.5 mm for 11 ≤ n ≤ 20

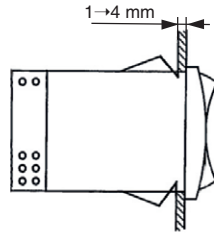
Panel thickness

84210/211/212



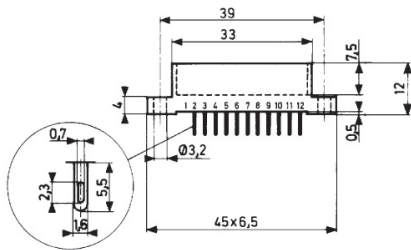
Clips have two mounting positions according to panel thickness.

84214

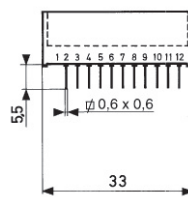


Connectors

Solder lugs



Solder pins



Installation recommendations

See "Basic technical concepts"

How to order

Use the 8 digit part numbers when they are defined

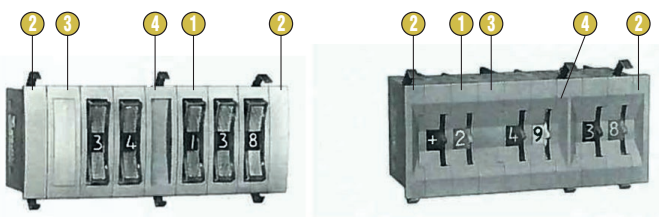
Other cases, precise:

Type of thumbwheel switch - Code - Circuit - Case - Wheel - Connections - Adaptation* + Mounting accessories* + Connector*

* if needed

Example: 84212 M07 L N N S + 79211947 + 25625493

Examples of blocks



- 1- Switch module
- 2- End caps
- 3- Spacer
- 4- Separator

Warning:

The product information contained in this catalogue is given purely as information and does not constitute a representation, warranty or any form of contractual commitment. Crouzet Automatismes SAS and its subsidiaries reserve the right to modify their products without notice. It is imperative that we should be consulted over any particular use or application of our products and it is the responsibility of the buyer to establish, particularly through all the appropriate tests, that the product is suitable for the use or application. Under no circumstances will our warranty apply, nor shall we be held responsible for any application (such as any modification, addition, deletion, use in conjunction with other electrical or electronic components, circuits or assemblies, or any other unsuitable material or substance) which has not been expressly agreed by us prior to the sale of our products.